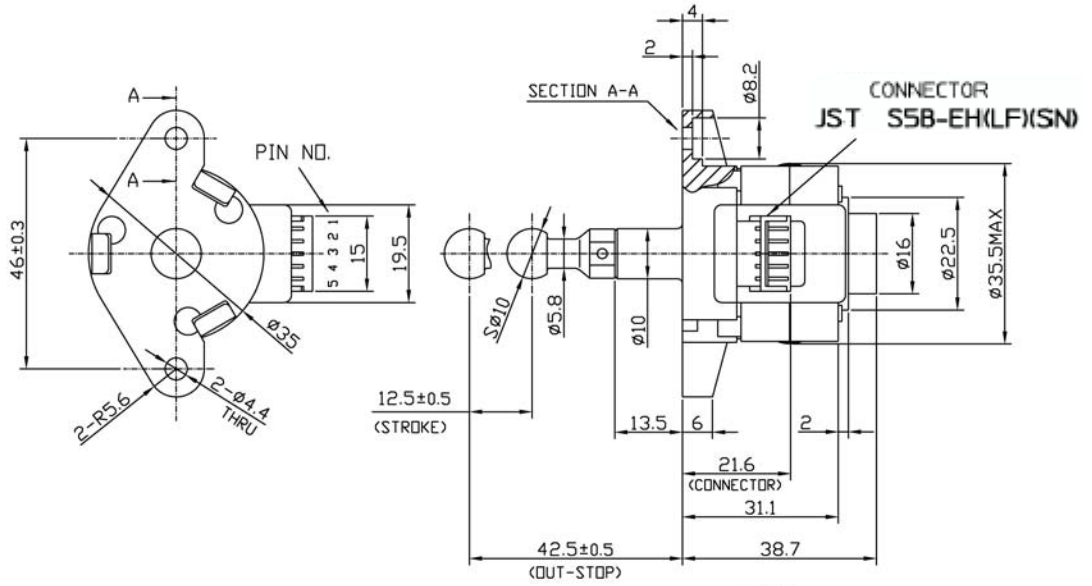


PL35L-024

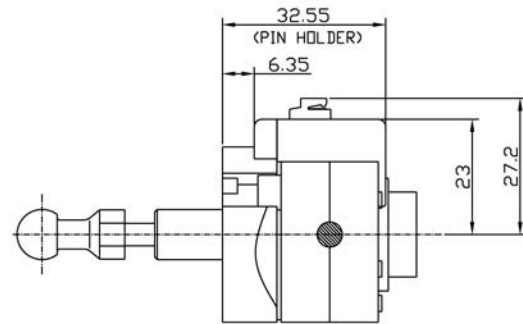


UNIT: mm

Note: Dimension subject to change.

Model Specifications

Reference Characteristics	
Motor Size	PL35L-024
Drive Voltage	DC 12 [V]
Drive Current	450 [mA] MAX.
Winding Resistance	7.7 [Ω]
Magnet Material	Ferrite Magnet (MS50)
Drive Mode	Bipolar Chopper
Phase on Method	2-2
Pitch/Step	0.0330 [mm]
Full Stroke	12.5 [mm]



Switching Sequence

(viewed from mounting surface)

Step	Pin No.			
	No. 1	No. 2	No. 3	No. 4
1	-	+	+	-
2	-	+	-	+
3	+	-	-	+
4	+	-	+	-

Shaft-out ↓ ↑ Shaft-in

Torque/Speed Characteristics

PL35L-024 Force vs. Speed

